

# BICYCLE SUPPORT INSTRUCTIONS

1.) Set your bicycle in place. Fasten the Bicycle Support Bar to the Bike using the velcro straps. In FIG.3

2.) FIG 1 allows you to pivot the bar to fit the angle of your individual bicycle.

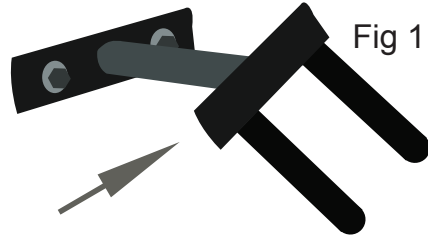


Fig 1

3.) Then line your bike and the bike support bar to the side bed of your pickup truck.

Fig. 4



4.) Once the bike and support bar is lined up, use a marker to mark where you will be drilling the holes so that you can add the hardware. In FIG. 2 drill 2 holes using 5/16 drill bit.

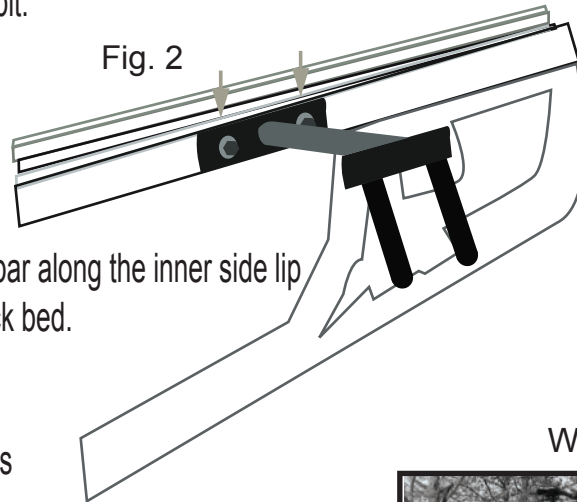


Fig. 2

5.) Install the bicycle support bar along the inner side lip of the inside of the pickup truck bed. Using the hardware provided.

Option 2  
 You can also purchase C-Clamps at your local store if you choose not to drill wholes and not use the hardware.

6.) Fig 3,4 Placement Samples

Watch Video



Fig. 3

- Tonneau Cover friendly.
- Easy to install.
- Travel with a fully assembled bicycle, in an upright position.